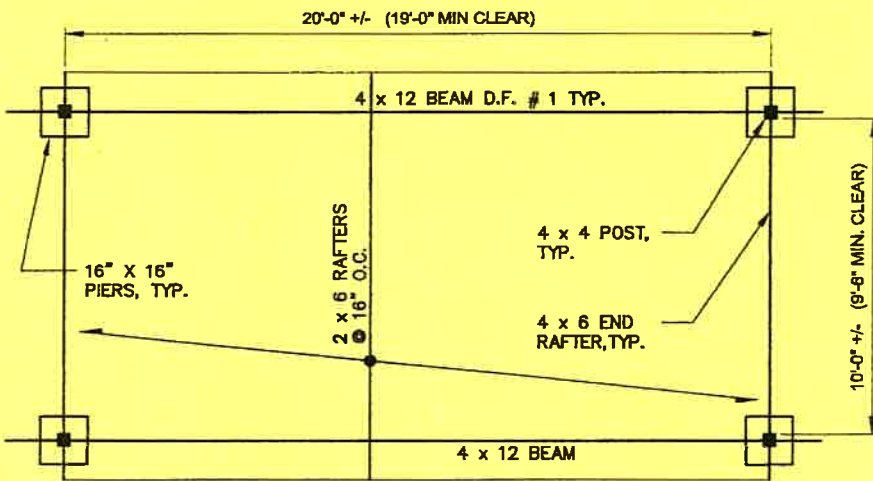
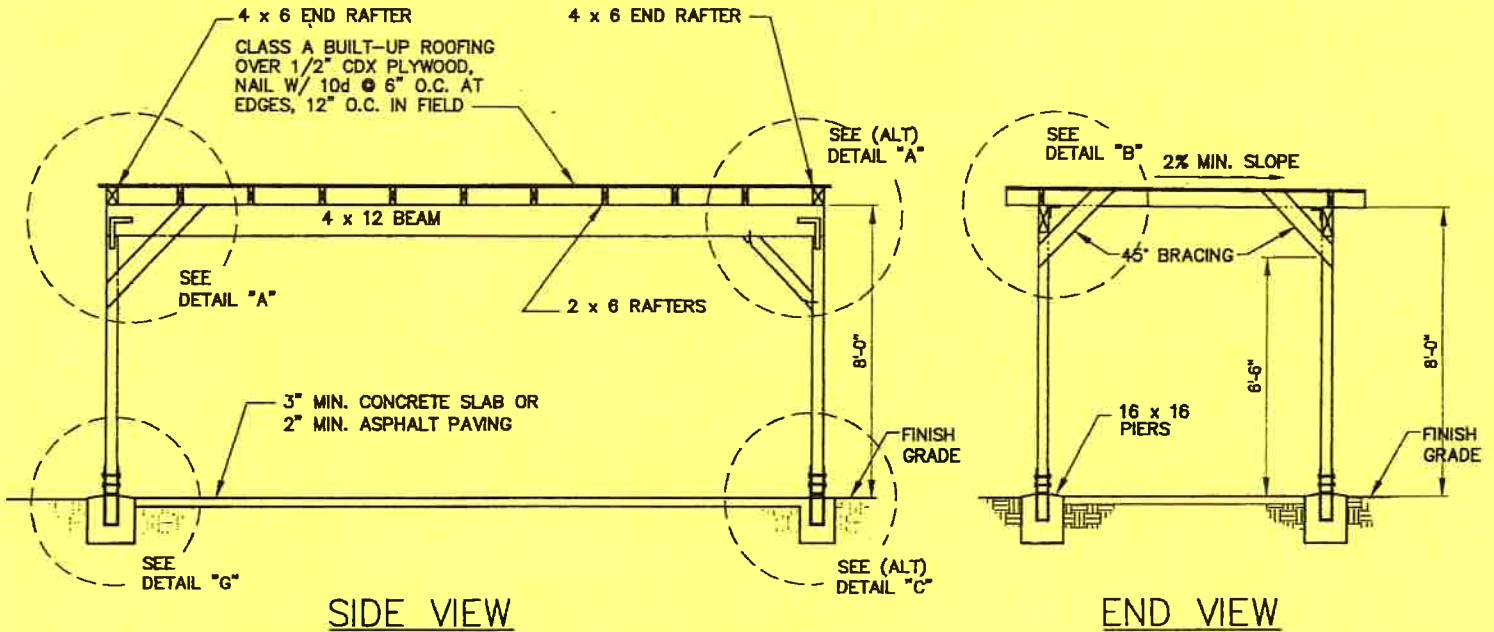


DETACHED CARPORT DETAILS PLAN AND ELEVATIONS

THIS DRAWING DEPICTS MINIMUM CODE REQUIREMENTS PER CRC INFORMATION IS FOR REFERENCE ONLY AND IS NOT A SUBSTITUTE FOR ACCURATE DRAWINGS PREPARED FOR EACH PROPOSED CONSTRUCTION PROJECT.

MINIMUM CONSTRUCTION REQUIREMENTS



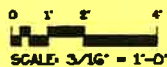
**FOOTING & FRAMING PLAN
(1-CAR CARPORT)**

NOTE:

REFER TO TYPE V SHEET FOR SPECIFICATIONS OF CONCRETE, LUMBER GRADE, AND RAFTER SPACING.

PROVIDE PLOT PLAN SHOWING THE LOCATION OF ALL EXISTING BUILDINGS ON LOT WITH DIMENSIONS TO LOT LINES AND BETWEEN BUILDINGS.

THIS STRUCTURE IS NOT PERMITTED WITHIN 5' OF A PROPERTY LINE UNLESS AN EXTERIOR WALL WITHOUT OPENINGS IS PROVIDED. THIS WALL SHALL BE PROTECTED ON THE BOTH SIDES WITH MATERIAL APPROVED FOR 1-HR FIRE RESISTIVE CONSTRUCTION.



(OVER — FOR DETAILS)

Provide consistent Title Block on all sheets. Leave margin on all sides.

This scale is for example only. Use 1/4" = 1'-0". Typical min. sheet size is 11" x 17"

NAME, ADDRESS AND PHONE NO. OF DESIGNER
 XXX XXX XXX XXX
 XXX XXX XXX XXX

WET SIGNATURE OF DESIGNER ON EACH SHEET
 (AND PROFESSIONAL STAMP IF APPLICABLE)

**EXAMPLE
RESIDENCE**

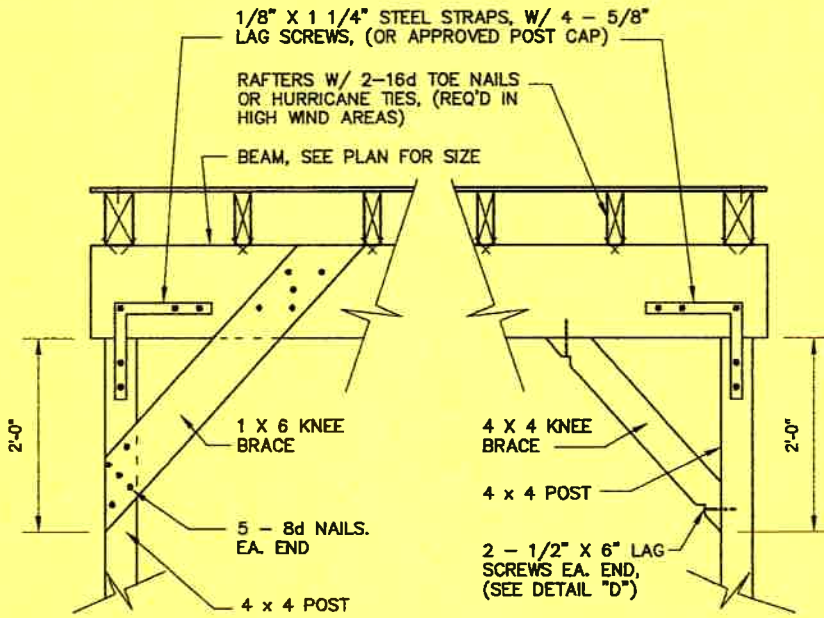
**DETACHED
CARPORT**
 SAMPLE DRAWING

SCALE: 3/16" = 1'-0"
 DATE:

SHEET NO.
DC-1

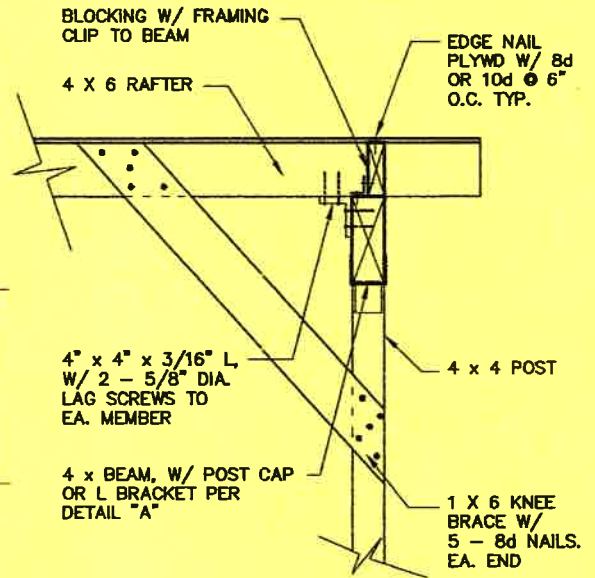
DETACHED CARPORT DETAILS

THIS DRAWING DEPICTS MINIMUM CODE REQUIREMENTS PER CRC INFORMATION IS FOR REFERENCE ONLY AND IS NOT A SUBSTITUTE FOR ACCURATE DRAWINGS PREPARED FOR EACH PROPOSED CONSTRUCTION PROJECT.

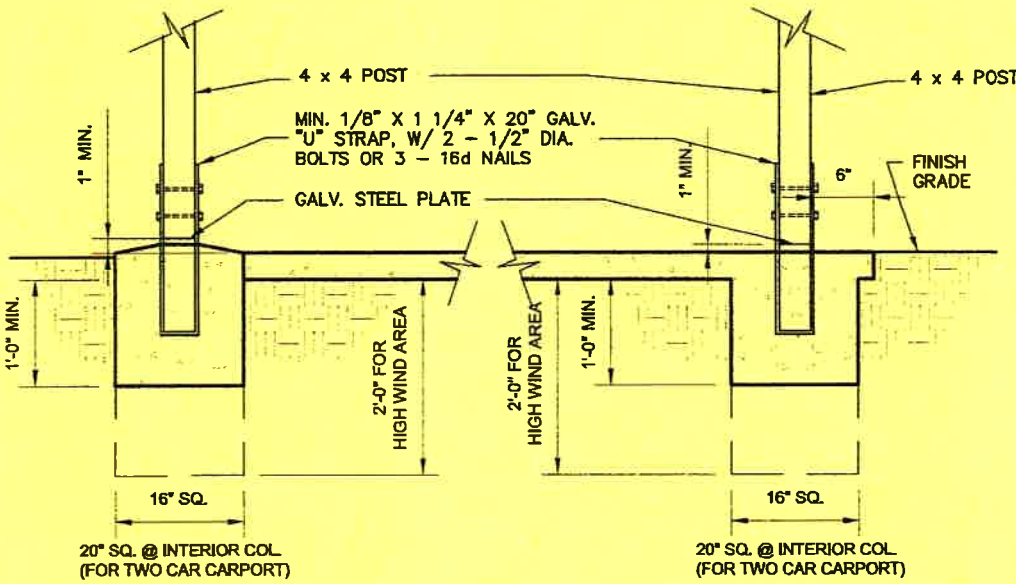


DETAIL "A"

DETAIL "A"
ALTERNATE

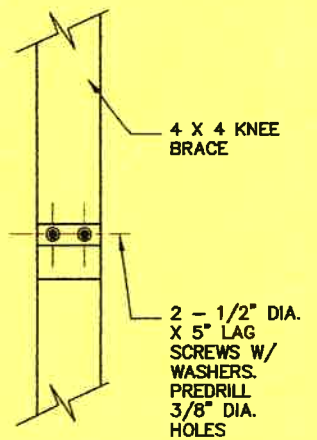


DETAIL "B"

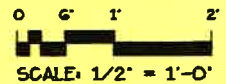


DETAIL "C"

DETAIL "C"
ALTERNATE



DETAIL "D"



Provide consistent Title Block on all sheets. Leave margin on all sides.

This scale is for example only. Use 3/4" or 1" or 1 1/2" = 1'-0". Typical min. sheet size is 11" x 17"

NAME, ADDRESS AND PHONE NO. OF DESIGNER
XXX XXX XXX XXX
XXX XXX XXX XXX

WET SIGNATURE OF DESIGNER ON EACH SHEET
(AND PROFESSIONAL STAMP IF APPLICABLE)

**EXAMPLE
RESIDENCE**

**DETACHED
CARPORT**

SAMPLE DRAWING

SCALE: 1/2" = 1'-0"

DATE:

SHEET NO.

DC-2